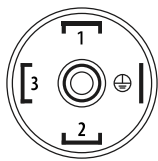


**Screw-in probe with ceramic measuring cell.
Cost-effective, piezoresistive, fast-responding.**



- Compact pressure transmitter DT10.
- For mid-range applications.
- Competitive.

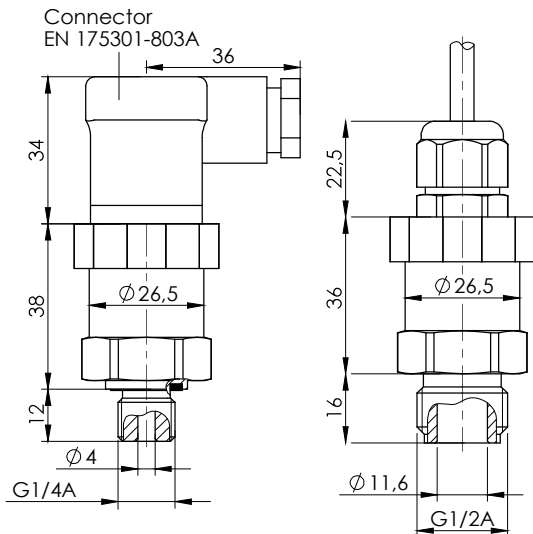
Connector
EN 175301-803A



- 4...20 mA, 2-wire
PIN 1: Signal +
PIN 2: Signal -
- 0 ... 10 V, 3-wire
PIN 1: in +
PIN 2: in -
PIN 3: out +

Technical Data:

Measuring ranges:	250 mbar ... 250 bar, relative (25 kPa ... 25 MPa, relative)
Accuracy class:	0.5% FSO
Output:	4-20 mA, 2-wire Others on request
Supply voltage:	10 ... 30 V DC
Response time:	< 50 ms, start-up time < 1 s
Temperature range:	-20 ... 80 °C. Higher on request.
Temperature influence:	< 0.04 % / K
Long-Term drift:	< 0.5 % per year
Housing:	Stainless steel 1.4404
Weight:	0.15 kg
Measuring cell:	Ceramic Al ₂ O ₃ , piezoresistive
Process seal:	Viton (FKM), others on request.
Version options:	Not available in EX version. Also suitable for vacuum ranges.



Article code:

	<p>Measuring range: 250 = 250 mbar 500 = 500 mbar 1k = 1 bar 2k = 2 bar ... 250k = 250 bar Also for vacuum, on request</p>
	<p>Process connection thread: G0.5 = G1/2A with 11.6 mm hole, ISO 228-1 G0.25 = G1/4A EN ISO 1179-2</p>
	<p>Electrical connection: 803 = Plug terminal EN 175301-803A, IP65 P02 = Cable tail, 2 m, IP67 Others available on request</p>

