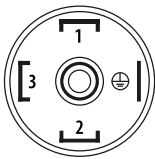


**Screw-in probe, with capacitive ceramic measuring cell, wide range of pressure measuring.**



- Compact pressure transmitter DT12.
- For mid-range applications, precise.
- From 100 mbar and also for vacuum pressure.

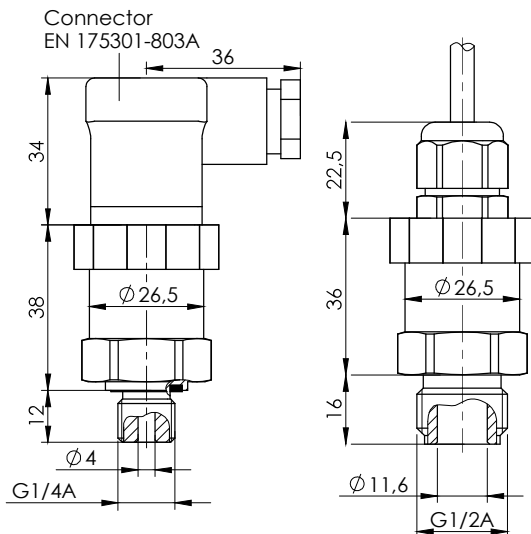
Connector  
EN 175301-803A



4...20 mA, 2-wire  
PIN 1: Signal +  
PIN 2: Signal -  
  
0...10 V, 3-wire  
PIN 1: in +  
PIN 2: in -  
PIN 3: out +

### Technical Data:

<b>Measuring ranges:</b>	100 mbar ... 60 bar, relative (10 kPa ... 6 MPa, relative)
<b>Accuracy class:</b>	0.4% FSO
<b>Output:</b>	4-20 mA, 2-wire Others on request.
<b>Supply voltage:</b>	10 ... 30 V DC
<b>Response time:</b>	< 200 ms, start-up time < 1 s
<b>Temperature range:</b>	-25 ... 80 °C. Higher on request.
<b>Temperature influence:</b>	< 0.04 % / K
<b>Long-term drift:</b>	< 0.3 % per year
<b>Housing:</b>	Stainless steel 1.4404
<b>Weight:</b>	0.15 kg
<b>Measuring cell:</b>	Ceramic Al <sub>2</sub> O <sub>3</sub> , capacitive
<b>Process seal:</b>	Viton (FKM), others available on request.
<b>Version options:</b>	Not available in explosion-proof version. Also for vacuum measurement ranges.



Article code:

<p>DT12- [ ] - [ ] - [ ]</p>	<p><b>Measuring range:</b> 100 = 0 - 100 mbar 200 = 0 - 200 mbar .... 1k = 0 - 1 bar .... 60k = 0 - 60 bar Also available for vacuum ranges, on request.</p>
	<p><b>Process connection thread:</b> G0.5 = G1/2A and 11.6 mm hole, ISO 228-1 G0.25 = G1/4A EN ISO 1179-2</p>
	<p><b>Electrical connection:</b> 803 = Plug terminal EN 175301-803A, IP65 P02 = Cable tail, 2 m, IP67 Others available on request</p>

