

**Pressure transmitter for high-end requirements.
Robust, various options: Casted w. resin, ATEX, etc.**

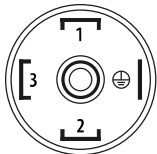


Technical Data:

Measuring ranges:	0 - 40 mbar to 0 - 40 bar, relative. (= 40 hPa to 4000 kPa, relative)
Accuracy class:	0.25% FSO
Output:	4-20 mA, 2-wire Others available on request.
Supply voltage:	10 ... 30 V DC
Response time:	< 200 ms, start-up time < 1 s
Temperature range:	-20 ... 100 °C. Higher on request.
Temperature influence:	< 0.02 % / K
Long-term drift:	< 0.2 % per year
Housing:	Stainless steel 1.4404 or plastic PVDF
Weight:	0.35 kg
Measuring cell:	Ceramic Al ₂ O ₃ -FDA, temp. compensated
Process seal:	Viton (FKM), others available upon request.
Version options:	Also available in EX version.

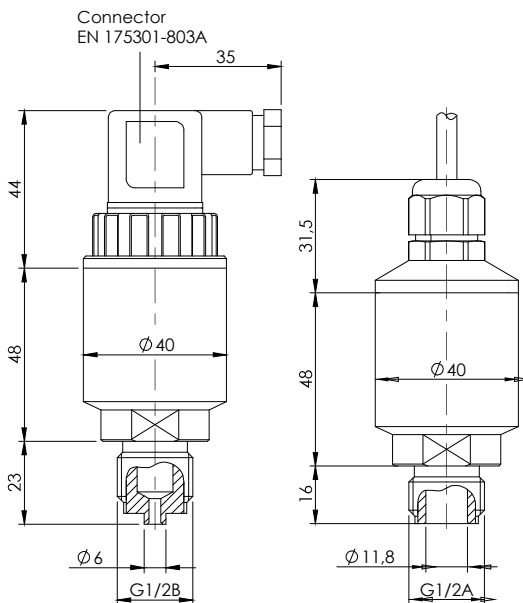
- High-end pressure transmitter P121.
- Highly accurate, robust, various connections.
- ATEX available as an option.

Connector
EN 175301-803A



4...20 mA, 2-wire
PIN 1: Signal +
PIN 2: Signal -

0 ... 10 V, 3-wire
PIN 1: in +
PIN 2: in -
PIN 3: out +



Article code:

Measuring range:

040 = 40 mbar
050 = 50 mbar
100 = 100 mbar
200 = 200 mbar
...
1k = 1 bar
...
40k = 40 bar

Process connection thread:

G0.5 = G1/2A and 11.8 mm hole, ISO 228-1
GM = G1/2B, EN 837-1 pressure gauge conn.

Electrical connection:

803 = Plug terminal EN 175301-803A, IP65
P02 = Cable tail, 2 m, IP67
Others available on request

EX and housing:

-- = Stainless steel, non-EX
EX = Stainless steel with ATEX
PV = Plastic PVDF, non-EX

P121- [] - [] - [] - []

