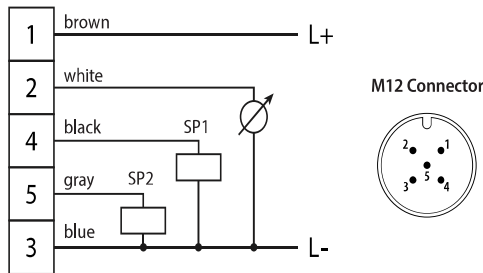


## Pressure gauge and pressure switch with LED display. Adjustable pressure range (turndown). Analog output and switch output.

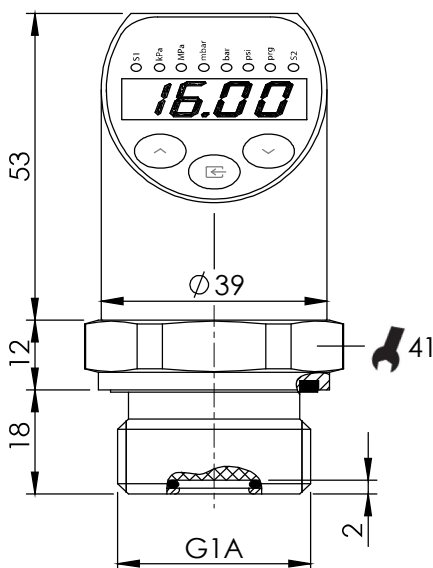


- Pressure gauge/switch PM40.
- High-end. Capacitive measuring cell.
- Robust metal housing, rotatable.



### Technical Data:

|                               |   |
|-------------------------------|---|
| <b>Measuring ranges:</b>      | 0 - 100 mbar + turndown to 0 - 40 bar,<br>(0 - 4 kPa + turndown to 0 - 4000 kPa)<br>Turndown: 1 : 5 |
| <b>Accuracy class:</b>        | 0.3% FSO  |
| <b>Output:</b>                | 4-20 mA, 3-wire principle   |
| <b>Contact output:</b>        | 2 contact outputs, DC PNP   |
| <b>Auxiliary voltage:</b>     | 10 ... 30 V DC (3-wire)   |
| <b>Temperature range:</b>     | -20 ... 80 °C   |
| <b>Medium temperature:</b>    | -25 ... 100 °C  |
| <b>Temperature influence:</b> | < 0.01 % / K  |
| <b>Long-term drift:</b>       | < 0.1 % per year  |
| <b>Response time:</b>         | < 60 ms, start-up time < 1 s  |
| <b>Housing:</b>               | Stainless steel 1.4404, IP67, rotatable   |
| <b>Weight:</b>                | 0.45 kg   |
| <b>Measuring cell:</b>        | Ceramic Al <sub>2</sub> O <sub>3</sub> , capacitive   |
| <b>Process seal:</b>          | Viton (FKM), others on request.   |
| <b>Version options:</b>       | Not available in EX version.<br>Also suitable for vacuum pressure ranges.                           |



Article code:

**Measuring range:**  
100 = 100 mbar  
200 = 200 mbar  
...  
1k = 1 bar  
2k = 2 bar  
...  
40k = 40 bar  
Also available for vacuum ranges, on request.

**Process connection thread:**  
G1.0 = G1A" DIN EN ISO 1179-2  
G0.5 = G1/2A", available on request

**Electrical connection:**  
M12 = M12 connector, 5-pin

PM40- [ ] - G1.0 - M12

